

# Next Vision Display

## Brighten The Future

### **SPECIFICATION**

**CUSTOMER :** \_\_\_\_\_

**MODULE NO.:** NV320240F570#W040

Web: [www.nextvisiondisplay.com](http://www.nextvisiondisplay.com)

Info: [technical@nextvisiondisplay.com](mailto:technical@nextvisiondisplay.com)

# **Contents**

- 1. Records of Revision**
- 2. Summary**
- 3. General Specification**
- 4. Absolute Maximum Ratings**
- 5. Electrical Characteristics**
- 6. DC Characteristics**
- 7. Interface Timing**
- 8. Optical Characteristics**
- 9. Interface**
- 10. Block Diagram**
- 11. Reliability**
- 12. Contour Drawing**
- 13. Package Specification**
- 14. Initial Code For Reference**

# 1.Records of Revision

MODULE NO :

## RECORDS OF REVISION

DOC. FIRST ISSUE

VERSION	DATE	REVISED PAGE NO.	SUMMARY
0	2013.10.21		First issue



## 2.Summary

This technical specification applies to 5.7' color TFT-LCD panel. The 5.7' color TFT-LCD panel is designed for camcorder, digital camera application and other electronic products which require high quality flat panel displays. This module follows RoHS.

## 3.General Specification

Item	Dimension	Unit
Dot Matrix	320 x 240	dots
Module dimension	160.0 x 109.0 x 7.0	mm
Active area	115.2 x 86.4	mm
Dot pitch	0.36 x 0.36	mm
LCD type	TFT, Positive, Transmissive	
View Direction	12 o'clock	
Gray Scale Inversion Direction	6 o'clock	
Backlight Type	LED, Normally White	

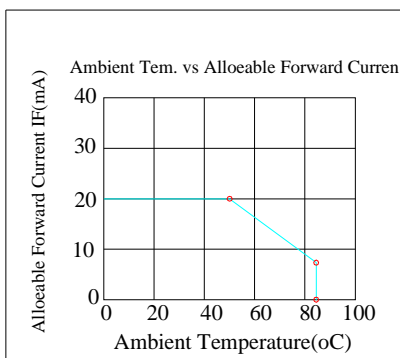
\*Color tone slight changed by temperature and driving voltage.

## 4.Absolute Maximum Ratings

Item	Symbol	Min	Typ	Max	Unit
Operating Temperature	TOP	-20	—	+70	°C
Storage Temperature	TST	-30	—	+80	°C

Note: Device is subject to be damaged permanently if stresses beyond those absolute maximum ratings listed above

1. Temp.  $\leq 60^{\circ}\text{C}$ , 90% RH MAX. Temp.  $> 60^{\circ}\text{C}$ , Absolute humidity shall be less than 90% RH at  $60^{\circ}\text{C}$



## 5. Electrical Characteristics

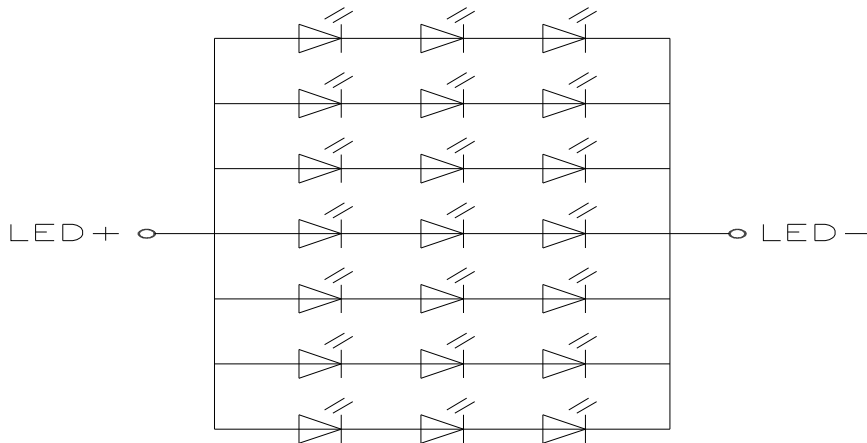
### 5.1. Operating conditions:

Item	Symbol	Condition	Min	Typ	Max	Unit	Remark
Supply Voltage For LCM	VDD	—	3.0	3.3	3.6	V	
Supply Current For LCM	IDD	—	—	20	30	mA	Note1
Power Consumption	—	—	—	66	108	mW	

Note1: This value is test for VDD=3.3V only

### 5.2 LED driving conditions

Parameter	Symbol	Min.	Typ.	Max.	Unit	Remark
LED current		-	140	-	mA	
Power Consumption		1120	-	1386	mW	
LED voltage	VLED+	8.0	9.0	9.9	V	Note 1
LED Life Time		-	50,000	-	Hr	Note 2,3,4



Note 1 : Power supply the back light specification

Note 2 :  $T_a = 25\text{ }^\circ\text{C}$

Note 3 : Brightness to be decreased to 50% of the initial value

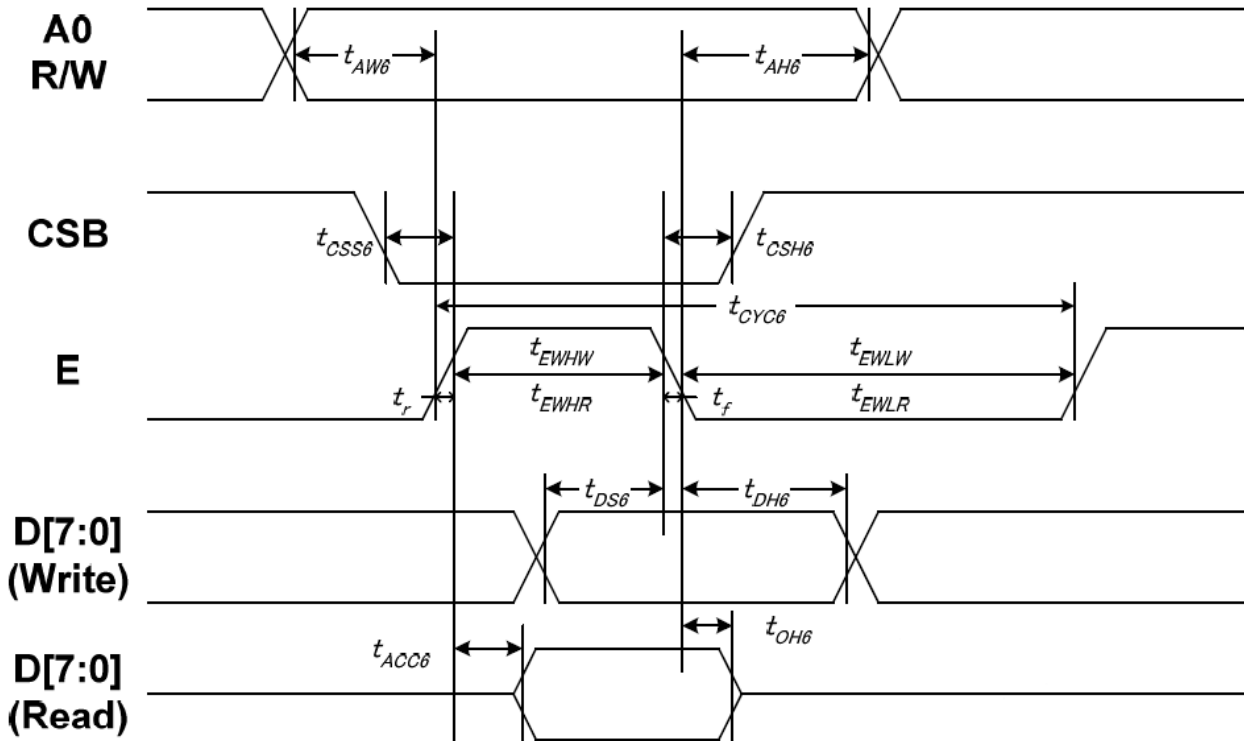
Note 4 : The single LED lamp case

## 6. DC Characteristics

Parameter	Symbol	Rating			Unit	Condition
		Min	Typ	Max		
Low level input voltage	$V_{IL}$	0	-	0.3VDD	V	
High level input voltage	$V_{IH}$	0.7VDD	-	VDD	V	

# 7. AC Characteristics

## 7.1 System Bus Timing for 6800 Series MPU

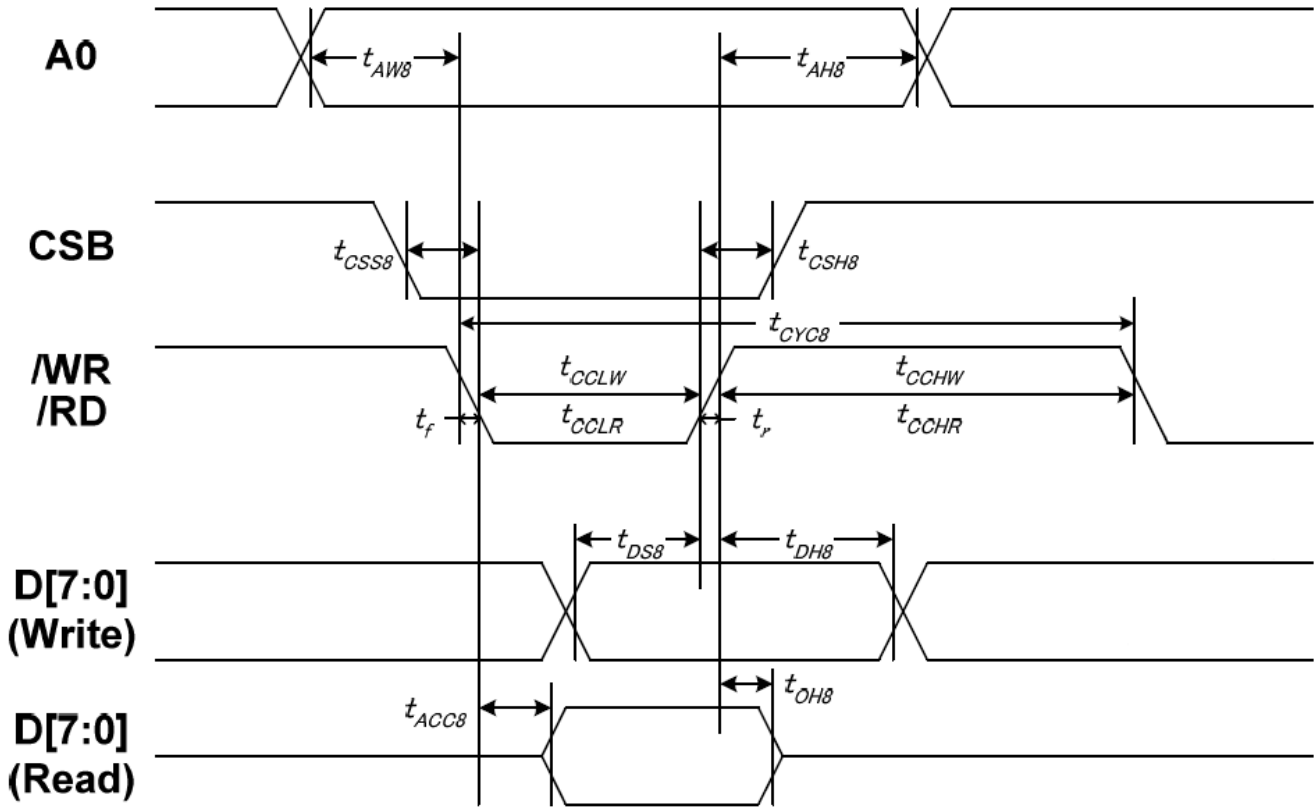


Item	Signal	Symbol	Condition	Min	Max	Unit
Address setup time	A0	tAW6	-	10	-	ns
Address hold time		tAH6	-	0	-	
System cycle time	E	tCYC6	-	200	-	
Enable L pulse width (WRITE)		tEHLW	-	100	-	
Enable H pulse width (WRITE)		tEHWLW	-	100	-	
Enable L pulse width (READ)		tEHLR	-	130	-	
Enable H pulse width (READ)	tEWHR	-	130	-		
CSB setup time	CSB	tCSS6	-	100	-	
CSB hold time		tCSH6	-	100	-	
Write data setup time	D[7:0]	tDS6	-	70	-	
Write data hold time		tDH6	-	20	-	
Read data access time		tACC6	CL = 100 pF	-	80	
Read data output disable time		tOH6	CL = 100 pF	15	80	

Note:

1. The input signal rise time and fall time ( $t_r$ ,  $t_f$ ) is specified at 15 ns or less. When the system cycle time is extremely fast,  $(t_r + t_f) \leq (t_{CYC8} - t_{CCLW} - t_{CCHW})$  for  $(t_r + t_f) \leq (t_{CYC8} - t_{CCLR} - t_{CCHR})$  are specified.
2. All timing is specified using 20% and 80% of VDDI as the reference.
3. tCCLW and tCCLR are specified as the overlap between CSB being "L" and /WR and /RD being at the "L" level. CSB and /WR (or /RD) cannot act at the same time and CSB should be 100ns wider than /WR (or /RD).

7.2 System Bus Timing for 8080 Series MPU

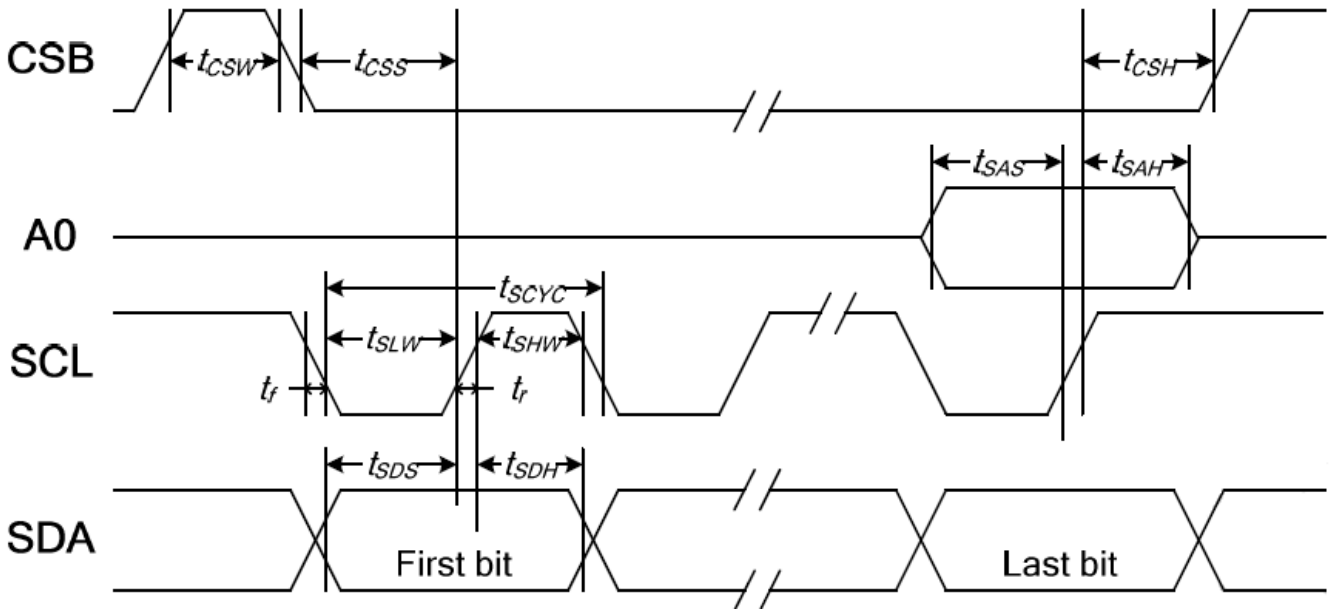


Item	Signal	Symbol	Condition	Min	Max	Unit
Address setup time	A0	tAW8	-	10	-	ns
Address hold time		tAH8	-	0	-	
System cycle time	/WR	tCYC8	-	200	-	
/WR L pulse width (WRITE)		tCCLW	-	100	-	
/WR H pulse width (WRITE)		tCCHW	-	100	-	
/RD L pulse width (READ)		/RD	tCCLR	-	120	
/RD H pulse width (READ)	tCCHR		-	120	-	
CSB setup time	CSB	tCSS8	-	100	-	
CSB hold time		tCSH8	-	100	-	
Write data setup time	D[7:0]	tDS8	-	70	-	
Write data hold time		tDH8	-	20	-	
Read data access time		tACC8	CL = 100 pF	-	80	
Read data output disable time		tOH8	CL = 100 pF	15	80	

Note:

1. The input signal rise time and fall time ( $t_r$ ,  $t_f$ ) is specified at 15 ns or less. When the system cycle time is extremely fast,  $(t_r + t_f) \leq (t_{CYC8} - t_{CCLW} - t_{CCHW})$  for  $(t_r + t_f) \leq (t_{CYC8} - t_{CCLR} - t_{CCHR})$  are specified.
2. All timing is specified using 20% and 80% of VDDI as the reference.
3. tCCLW and tCCLR are specified as the overlap between CSB being “L” and /WR and /RD being at the “L” level. CSB and /WR (or /RD) cannot act at the same time and CSB should be 100ns wider than /WR (or /RD).

### 7.3 System Bus Timing for 4-Line Serial Interface

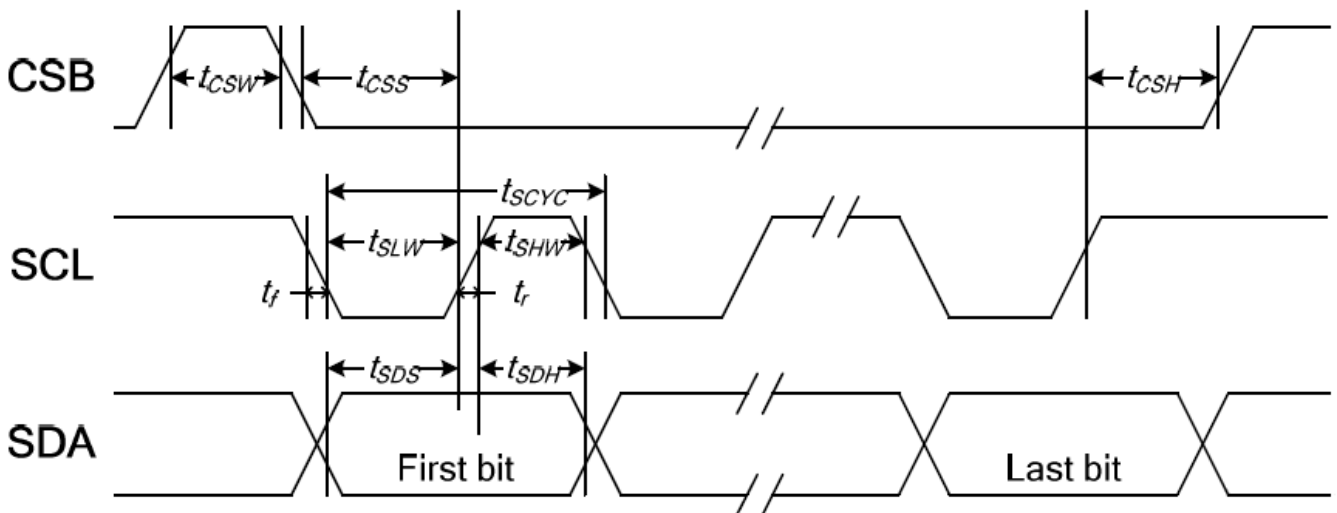


Item	Signal	Symbol	Condition	Min	Max	Unit
Serial clock period	SCL	tSCYC	-	80	-	ns
SCL "H" pulse width		tSHW	-	40	-	
SCL "L" pulse width		tSLW	-	40	-	
Address setup time	A0	tSAS	-	40	-	
Address hold time		tSAH	-	40	-	
Data setup time	SDA	tSDS	-	15	-	
Data hold time		tSDH	-	20	-	
CSB-SCL time	CSB	tCSS	-	40	-	
CSB-SCL time		tCSH	-	40	-	
CSB "H" pulse width		tCSW	-	15	-	

Note:

1. The input signal rise and fall time ( $t_r$ ,  $t_f$ ) are specified at 15 ns or less.
2. All timing is specified using 20% and 80% of VDDI as the standard.

### 7.4 System Bus Timing for 3-Line Serial Interface





Item	Signal	Symbol	Condition	Min	Max	Unit
Serial clock period	SCL	tSCYC	-	80	-	ns
SCL "H" pulse width		tSHW	-	40	-	
SCL "L" pulse width		tSLW	-	40	-	
Data setup time	SDA	tSDS	-	15	-	
Data hold time		tSDH	-	20	-	
CSB-SCL time	CSB	tCSS	-	40	-	
CSB-SCL time		tCSH	-	40	-	
CSB "H" pulse width		tCSW	-	15	-	

Note:

1. The input signal rise and fall time (tr, tf) are specified at 15 ns or less.
2. All timing is specified using 20% and 80% of VDDI as the standard.

## 8. Optical Characteristic

Item	Symbol	Temp	Condition.	Min	Typ.	Max.	Unit	Remark
Response time	Tr	25°C	$\theta=0^\circ, \Phi=0^\circ$	-	20	30	.ms	Note 3
	Tf	25°C		-	10	15		
Contrast ratio	CR	25°C	At optimized viewing angle	-	800	-	-	Note 4
Viewing angle	Hor.	$\Theta_R$	25°C	CR $\geq 10$	60		Deg.	Note 1 Note 2
		$\Theta_L$	25°C		60			
	Ver.	$\Phi_B$	25°C		60			
		$\Phi_T$	25°C		50			
Brightness	-	25°C	-	900	1000	-	cd/m <sup>2</sup>	Center of display

Ta=25±2°C, IL=140mA

Note 1: Definition of viewing angle

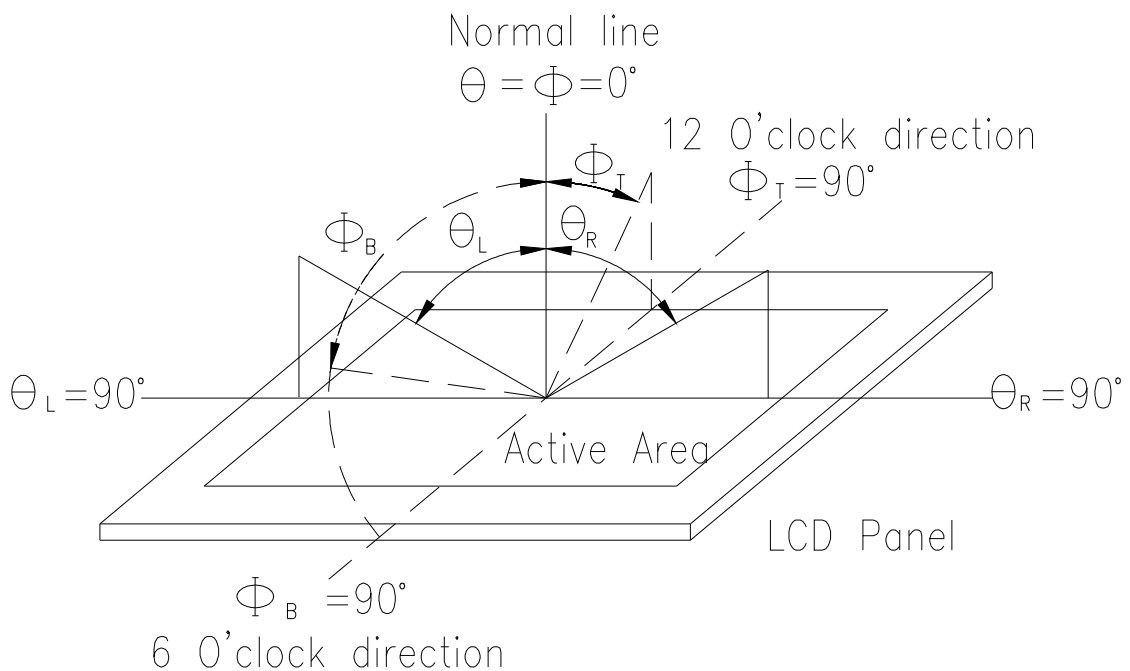


Fig. 8-1 Definition of viewing angle

Note 2: Test equipment setup: After stabilizing and leaving the panel alone at a driven temperature for 10 minutes, the measurement should be executed. Measurement should be executed in a stable, windless, and dark room. Optical specifications are measured by Topcon BM-7(BM-5) luminance meter 1.0° field of view at a distance of 50cm and normal direction.

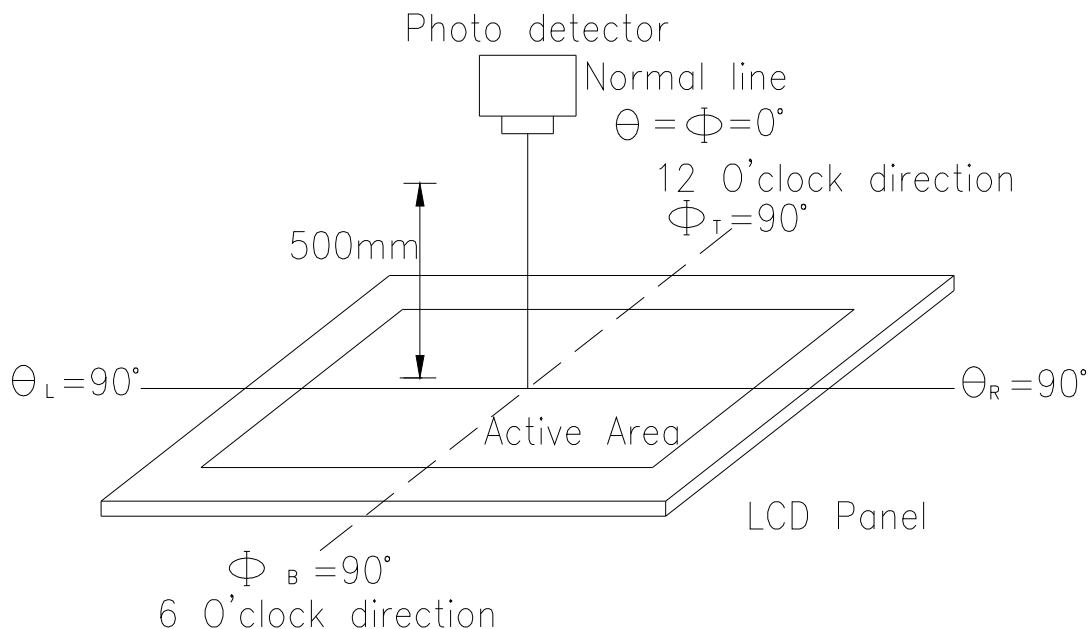
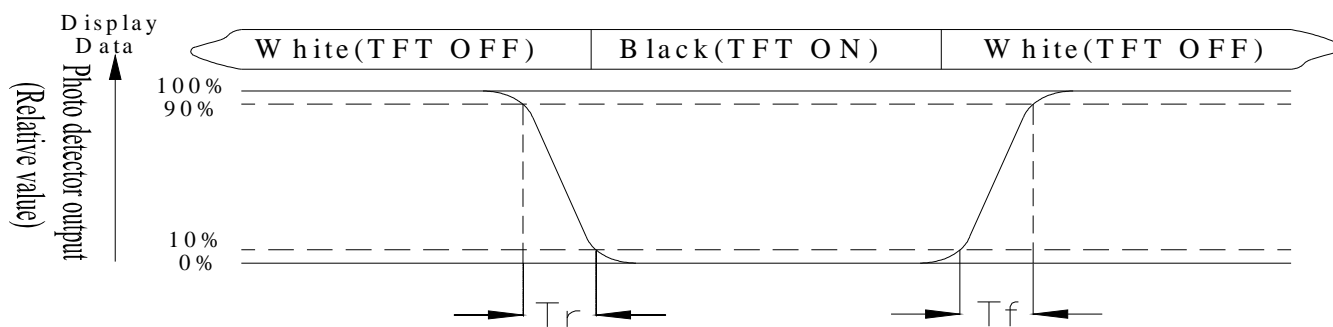


Fig. 8-2 Optical measurement system setup

Note 3: Definition of Response time: Definition of response time : The response time is defined as the time interval between the 10% and 90% amplitudes.



Note 4: Definition of contrast ratio : The contrast ratio is defined as the following expression.

$$\text{Contrast ratio (CR)} = \frac{\text{Luminance measured when LCD on the "White" state}}{\text{Luminance measured when LCD on the "Black" state}}$$

Note 8: Uniformity (U) =  $\frac{\text{Brightness(min)}}{\text{Brightness(max)}} \times 100\%$

# 9. Interface

## 9.1. LCM PIN Definition

Pin	Symbol	Function	Remark
1	GND	System ground	
2	VDD	Power Supply : +3.3V	
3	NC	No connect	
4	A0	Data/Command select	
5	/WR(R/W)	Write strobe signal	
6	/RD(E)	Read strobe signal	
7	DB0	Data bus	
8	DB1	Data bus	
9	DB2	Data bus	
10	DB3	Data bus	
11	DB4	Data bus	
12	DB5	Data bus	
13	DB6	Data bus	
14	DB7	Data bus	
15	/CS	Chip select	
16	/RESET(RSTB)	Hardware reset	
17	IF0	Mode select	Note 1
18	IF1		
19	NC	No connect	
20	NC	No connect	
21	NC	No connect	
22	NC	No connect	

Note1:

Setting		MCU Type	Interface Pin Function				
IF1	IF0		CSB	A0	RWR	ERD	D[7:0]
L	L	Parallel 8080 series MCU	CSB	A0	/WR	/RD	D[7:0]
L	H	Parallel 6800 series MCU			R/W	E	D[7:0]
H	H	Serial 4-Line series MCU			-	-	D7=SCL, D0=SDA, D[6:1] are not used
H	L	Serial 3-Line series MCU			-	-	

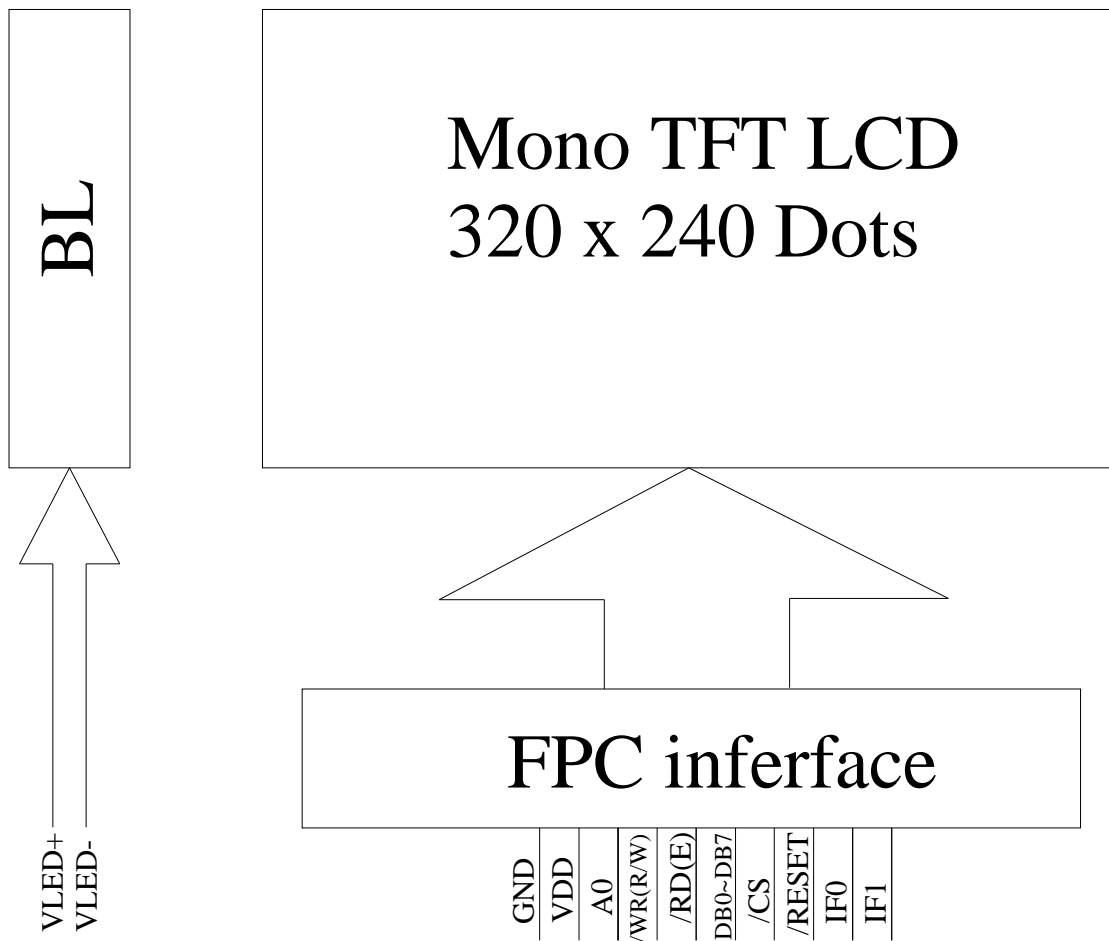
The un-used pins are marked as “-” and should be connected to “H” by VDDI.

## 92. Backlight Unit Section(CN2)

LED Light Bar connector is used for the the integral backlight system. The recommended model is “JST XH-3” manufactured by JST.

Pin No.	Symbol	I/O	Function	Remark
1	V <sub>LED+</sub>	P	Power for LED backlight anode (A)	Red
3	V <sub>LED-</sub>	P	Power for LED backlight cathode (K)	White

## 10. Block Diagram



# 11. Reliability

Content of Reliability Test (Wide temperature, -20°C~70°C)

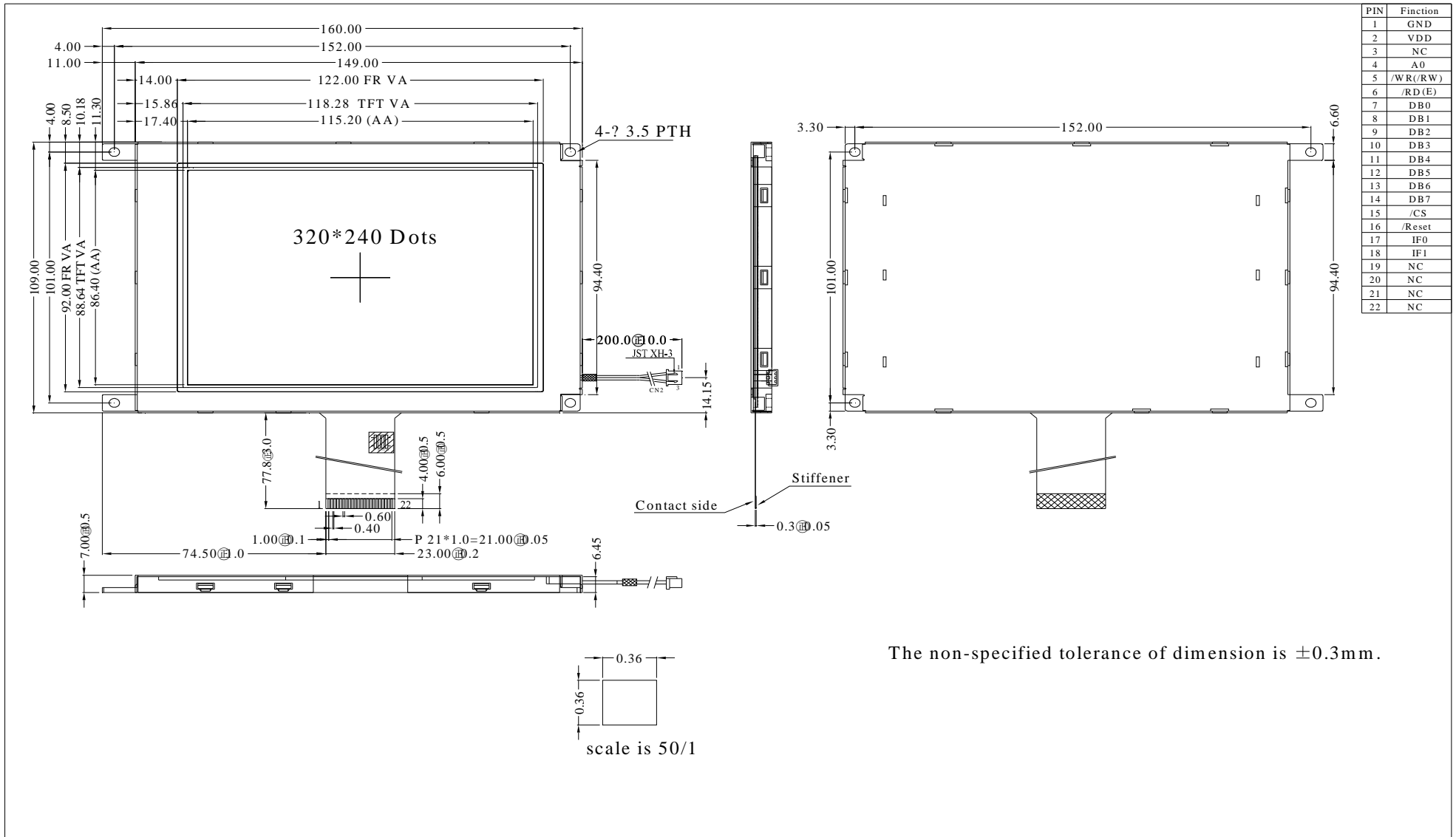
Environmental Test			
Test Item	Content of Test	Test Condition	Note
High Temperature storage	Endurance test applying the high storage temperature for a long time.	80°C 200hrs	2
Low Temperature storage	Endurance test applying the high storage temperature for a long time.	-30°C 200hrs	1,2
High Temperature Operation	Endurance test applying the electric stress (Voltage & Current) and the thermal stress to the element for a long time.	70°C 200hrs	—
Low Temperature Operation	Endurance test applying the electric stress under low temperature for a long time.	-20°C 200hrs	1
High Temperature/ Humidity Operation	The module should be allowed to stand at 60 °C, 90%RH max For 96hrs under no-load condition excluding the polarizer, Then taking it out and drying it at normal temperature.	60°C, 90%RH 96hrs	1,2
Thermal shock resistance	The sample should be allowed stand the following 10 cycles of operation  <div style="text-align: center;"> <p style="margin: 0;">-20°C      25°C      70°C</p> <p style="margin: 0;">←—————→</p> <p style="margin: 0;">30min      5min      30min</p> <p style="margin: 0;">1 cycle</p> </div>	-20°C/70°C 10 cycles	—
Vibration test	Endurance test applying the vibration during transportation and using.	Total fixed amplitude : 15mm Vibration Frequency : 10~55Hz One cycle 60 seconds to 3 directions of X, Y, Z for Each 15 minutes	3
Static electricity test	Endurance test applying the electric stress to the terminal.	VS=800V, RS=1.5kΩ CS=100pF 1 time	—

Note1: No dew condensation to be observed.

Note2: The function test shall be conducted after 4 hours storage at the normal Temperature and humidity after remove from the test chamber.

Note3: Vibration test will be conducted to the product itself without putting it in a container

# 12. Contour Draw



# 13. Package Specification

<b>LCM Model</b>	NV320240F570#W040	<b>LCM 包裝規格書</b> <b>LCM Packaging Specifications</b>	<b>Approve</b>	<b>Check</b>	<b>Contact</b>
<b>Drawing NO.</b>			<b>DATE</b>	初版	版次 Ver
			13'9/18	13'9/18	0

**1. 包裝材料規格表 (Packaging Material) :(per carton)**

NO.	Item	Model	Dimensions	Quantity
1	成品 (LCM)	NV320240F570#W040	160.0*109.0*7.0mm	60
2	TRAY 盤 (2)	PKCA1XXXXXXXXXXXX0243	315*265mm	30
3	BP01 內盒(3)Product Box	PK3R1XXXXXXXXXXXX0001	332*280*100mm	6
4	泡棉(4)Foam	-----	283*230*8mm	6
5	外紙箱(5)Carton	PK4Q1XXXXXXXXXXXX0000	565*340*320mm	1
6				
7				
8				
9				

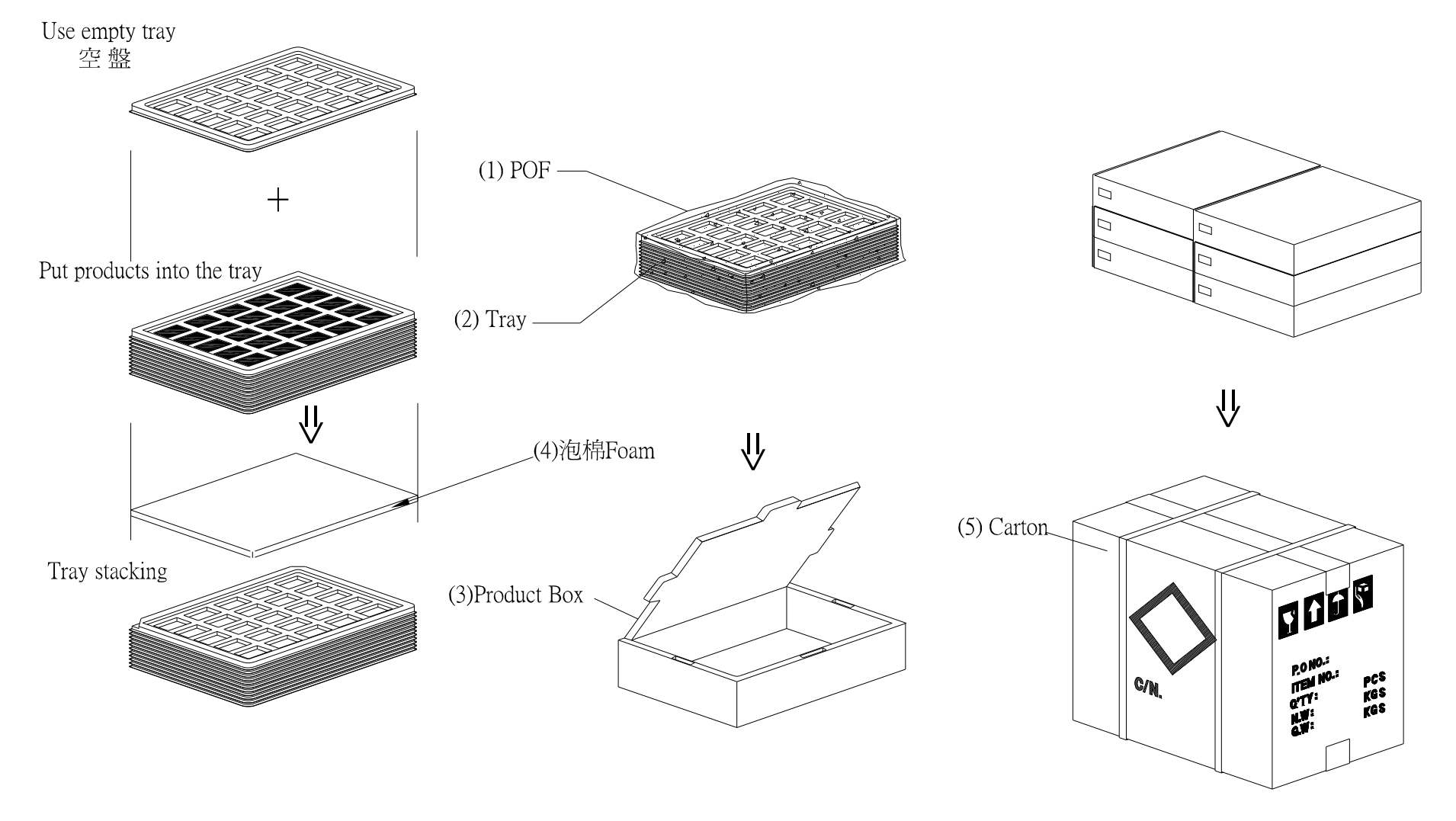
**2. 單箱數量規格表(Packaging Specifications and Quantity) :**

(1) LCM quantity per box : no per tray                      2    x no of tray    5        =10

(2) Total LCM quantity in carton : quantity per box    10    x no of boxes    6        =60

**特 記 事 項 (REMARK)**

<p>1. Label Specifications :</p> <table border="1" style="width:100%; height: 100px;"> <tr> <td style="padding: 2px;">MOOEL:</td> </tr> <tr> <td style="padding: 2px;">LOT NO :</td> </tr> <tr> <td style="padding: 2px;">QUANTITY:</td> </tr> <tr> <td style="padding: 2px;">CHECK:</td> </tr> </table>	MOOEL:	LOT NO :	QUANTITY:	CHECK:	
MOOEL:					
LOT NO :					
QUANTITY:					
CHECK:					





## **15. Initial Code For Reference**

```
void Initial_code()
{
    Write_Command(0xae);
    Write_Data(0xa5);

    Write_Command(0x61);
    Write_Data(0x8f);
    Write_Data(0x04);
    Write_Data(0xa5);
    Write_Data(0xa5);

    Write_Command(0x62);
    Write_Data(0x36);
    Write_Data(0x0b);
    Write_Data(0x0b);
    Write_Data(0xa5);

    Write_Command(0x33);
    Write_Data(0x07);
    Write_Data(0x2c);
    Write_Data(0x09);
    Write_Data(0x2a);

    Write_Command(0x63);
    Write_Data(0x09);
    Write_Data(0x17);
    Write_Data(0xa5);
    Write_Data(0xa5);

    Write_Command(0x91);
    Write_Data(0x00);
    Write_Data(0x16);
    Write_Data(0x1B);
    Write_Data(0x1C);
    Write_Command(0x92);
    Write_Data(0x1E);
    Write_Data(0x1F);
    Write_Data(0x20);
    Write_Data(0x21);
}
```

**Write\_Command(0x93);**  
**Write\_Data(0x23);**  
**Write\_Data(0x24);**  
**Write\_Data(0x26);**  
**Write\_Data(0x28);**  
**Write\_Command(0x94);**  
**Write\_Data(0x2B);**  
**Write\_Data(0x2F);**  
**Write\_Data(0x34);**  
**Write\_Data(0x3f);**  
**Write\_Command(0x99);**  
**Write\_Data(0x00);**  
**Write\_Data(0x16);**  
**Write\_Data(0x1B);**  
**Write\_Data(0x1C);**  
**Write\_Command(0x9a);**  
**Write\_Data(0x1E);**  
**Write\_Data(0x1F);**  
**Write\_Data(0x20);**  
**Write\_Data(0x21);**  
**Write\_Command(0x9b);**  
**Write\_Data(0x23);**  
**Write\_Data(0x24);**  
**Write\_Data(0x26);**  
**Write\_Data(0x28);**  
**Write\_Command(0x9c);**  
**Write\_Data(0x2B);**  
**Write\_Data(0x2F);**  
**Write\_Data(0x34);**  
**Write\_Data(0x3F);**

**Write\_Command(0x12);**  
**Write\_Data(0xa5);**

**Write\_Command(0x24);**  
**Write\_Data(0x01);**  
**Write\_Data(0xa5);**  
**Write\_Data(0xa5);**  
**Write\_Data(0xa5);**

**Write\_Command(0x22);**

**Write\_Data(0x00);**

**Write\_Data(0xa5);**

**Write\_Data(0xa5);**

**Write\_Data(0xa5);**

**Write\_Command(0x15);**

**Write\_Data(0xa5);**

**\_nop\_();**

**}**

## LCM Sample Estimate Feedback Sheet

Module Number : \_\_\_\_\_

Page: 1

### **1、Panel Specification :**

- |                            |                               |                                     |
|----------------------------|-------------------------------|-------------------------------------|
| 1. Panel Type :            | <input type="checkbox"/> Pass | <input type="checkbox"/> NG , _____ |
| 2. View Direction :        | <input type="checkbox"/> Pass | <input type="checkbox"/> NG , _____ |
| 3. Numbers of Dots :       | <input type="checkbox"/> Pass | <input type="checkbox"/> NG , _____ |
| 4. View Area :             | <input type="checkbox"/> Pass | <input type="checkbox"/> NG , _____ |
| 5. Active Area :           | <input type="checkbox"/> Pass | <input type="checkbox"/> NG , _____ |
| 6. Operating Temperature : | <input type="checkbox"/> Pass | <input type="checkbox"/> NG , _____ |
| 7. Storage Temperature :   | <input type="checkbox"/> Pass | <input type="checkbox"/> NG , _____ |
| 8. Others :                | _____                         |                                     |

### **2、Mechanical Specification :**

- |                             |                               |                                     |
|-----------------------------|-------------------------------|-------------------------------------|
| 1. PCB Size :               | <input type="checkbox"/> Pass | <input type="checkbox"/> NG , _____ |
| 2. Frame Size :             | <input type="checkbox"/> Pass | <input type="checkbox"/> NG , _____ |
| 3. Material of Frame :      | <input type="checkbox"/> Pass | <input type="checkbox"/> NG , _____ |
| 4. Connector Position :     | <input type="checkbox"/> Pass | <input type="checkbox"/> NG , _____ |
| 5. Fix Hole Position :      | <input type="checkbox"/> Pass | <input type="checkbox"/> NG , _____ |
| 6. Backlight Position :     | <input type="checkbox"/> Pass | <input type="checkbox"/> NG , _____ |
| 7. Thickness of PCB :       | <input type="checkbox"/> Pass | <input type="checkbox"/> NG , _____ |
| 8. Height of Frame to PCB : | <input type="checkbox"/> Pass | <input type="checkbox"/> NG , _____ |
| 9. Height of Module :       | <input type="checkbox"/> Pass | <input type="checkbox"/> NG , _____ |
| 10. Others :                | <input type="checkbox"/> Pass | <input type="checkbox"/> NG , _____ |

### **3、Relative Hole Size :**

- |                             |                               |                                     |
|-----------------------------|-------------------------------|-------------------------------------|
| 1. Pitch of Connector :     | <input type="checkbox"/> Pass | <input type="checkbox"/> NG , _____ |
| 2. Hole size of Connector : | <input type="checkbox"/> Pass | <input type="checkbox"/> NG , _____ |
| 3. Mounting Hole size :     | <input type="checkbox"/> Pass | <input type="checkbox"/> NG , _____ |
| 4. Mounting Hole Type :     | <input type="checkbox"/> Pass | <input type="checkbox"/> NG , _____ |
| 5. Others :                 | <input type="checkbox"/> Pass | <input type="checkbox"/> NG , _____ |

### **4、Backlight Specification :**

- |   |                               |                                     |
|---|-------------------------------|-------------------------------------|
| 1. B/L Type :                                     | <input type="checkbox"/> Pass | <input type="checkbox"/> NG , _____ |
| 2. B/L Color :                                    | <input type="checkbox"/> Pass | <input type="checkbox"/> NG , _____ |
| 3. B/L Driving Voltage (Reference for LED Type) : | <input type="checkbox"/> Pass | <input type="checkbox"/> NG , _____ |
| 4. B/L Driving Current :                          | <input type="checkbox"/> Pass | <input type="checkbox"/> NG , _____ |
| 5. Brightness of B/L :                            | <input type="checkbox"/> Pass | <input type="checkbox"/> NG , _____ |
| 6. B/L Solder Method :                            | <input type="checkbox"/> Pass | <input type="checkbox"/> NG , _____ |
| 7. Others :                                       | <input type="checkbox"/> Pass | <input type="checkbox"/> NG , _____ |

>> Go to page 2 <<

Module Number : \_\_\_\_\_

Page: 2

**5、Electronic Characteristics of Module :**

- |                              |                               |                                     |
|------------------------------|-------------------------------|-------------------------------------|
| 1. Input Voltage :           | <input type="checkbox"/> Pass | <input type="checkbox"/> NG , _____ |
| 2. Supply Current :          | <input type="checkbox"/> Pass | <input type="checkbox"/> NG , _____ |
| 3. Driving Voltage for LCD : | <input type="checkbox"/> Pass | <input type="checkbox"/> NG , _____ |
| 4. Contrast for LCD :        | <input type="checkbox"/> Pass | <input type="checkbox"/> NG , _____ |
| 5. B/L Driving Method :      | <input type="checkbox"/> Pass | <input type="checkbox"/> NG , _____ |
| 6. Negative Voltage Output : | <input type="checkbox"/> Pass | <input type="checkbox"/> NG , _____ |
| 7. Interface Function :      | <input type="checkbox"/> Pass | <input type="checkbox"/> NG , _____ |
| 8. LCD Uniformity :          | <input type="checkbox"/> Pass | <input type="checkbox"/> NG , _____ |
| 9. ESD test :                | <input type="checkbox"/> Pass | <input type="checkbox"/> NG , _____ |
| 10. Others :                 | <input type="checkbox"/> Pass | <input type="checkbox"/> NG , _____ |

**6、Summary :**

Sales signature : \_\_\_\_\_

Customer Signature : \_\_\_\_\_

Date : \_\_\_\_\_ / \_\_\_\_\_ / \_\_\_\_\_