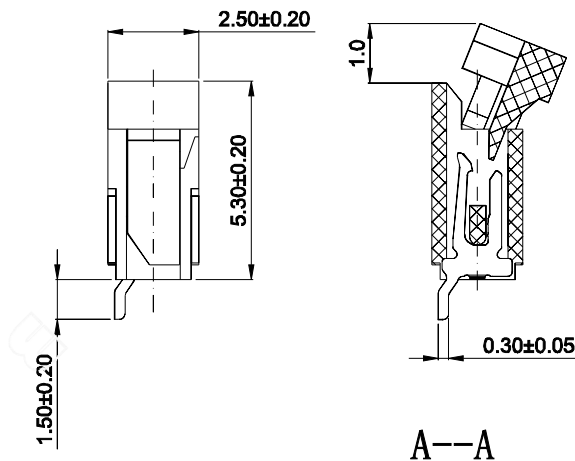
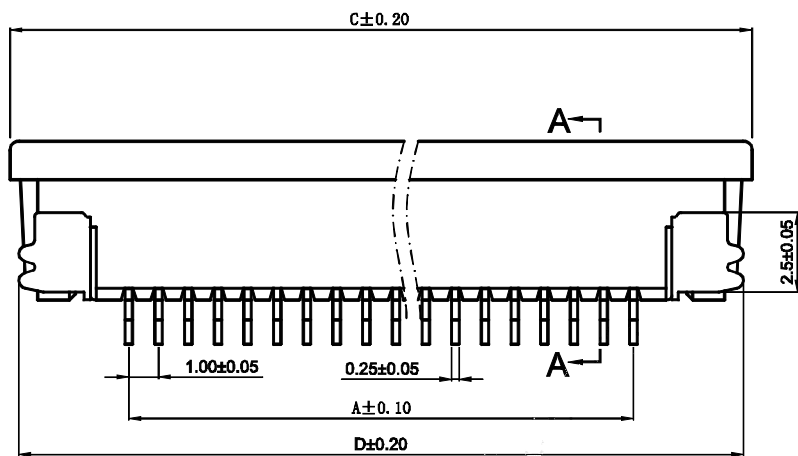


4 PINS 1.0 Pitch SMD Horizontal Type Bottom Contact

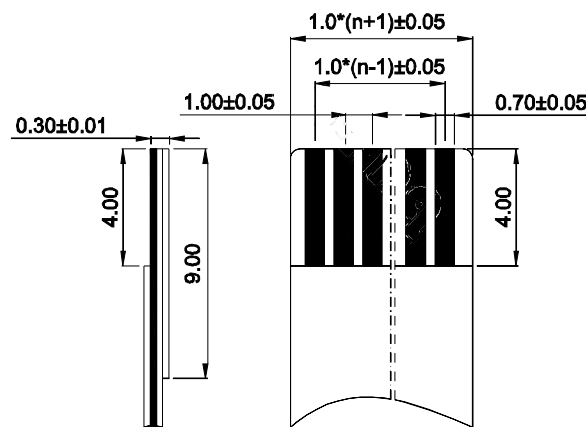
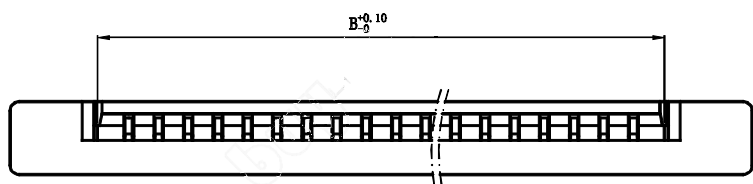
| Ver | Date | Description |
|-----|--------------|---------------------|
| 1.0 | July-26-2012 | Preliminary Release |



| Pin Num | A | B | C | D |
|---------|-----|-----|------|------|
| 4 | 3.0 | 5.3 | 11.1 | 10.1 |

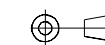
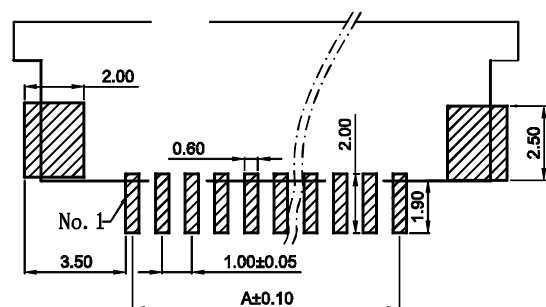
Material:

- 1、Housing: NYlon46 UL94V-0 Grey;
- 2、Loeker: PPS UL94V-0;
- 3、Contact: Phosphor bronze, tin/lead-plated;
- 4、Solder tab: Phosphor bronze, tin/lead-plated.



Specification:

- 2、Unverified Tolerance should comply with SJ1372-79;
- 3、Temperature Range: $-25^{\circ}\text{C} \sim 85^{\circ}\text{C}$;
- 4、Rated Voltage: 50V, AC, DC;
- 5、Contact Resistance: $\leq 0.03 \Omega$;
- 6、Insulation Resistance: $\geq 500\text{M} \Omega$;
- 7、Withstand Voltage: 500V, AC/minute.



CD

UNIT: MM

SIZE: A4

SHEET: 1 OF 1

Part Number for Order: NV04HB-2 ZIF X TOUCH

DRAWN BY : Jim

CHECKED BY: Tony

APPROVED BY : Liu