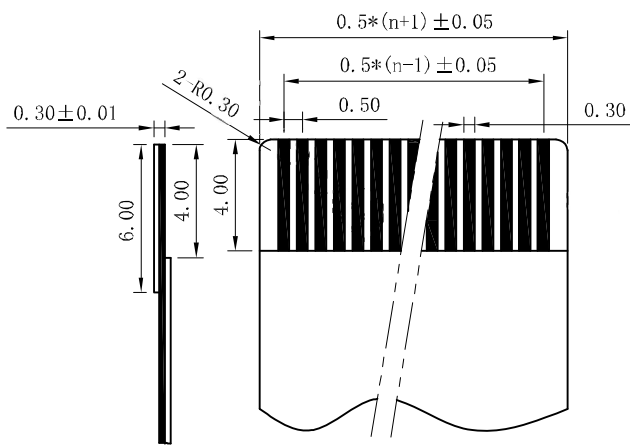
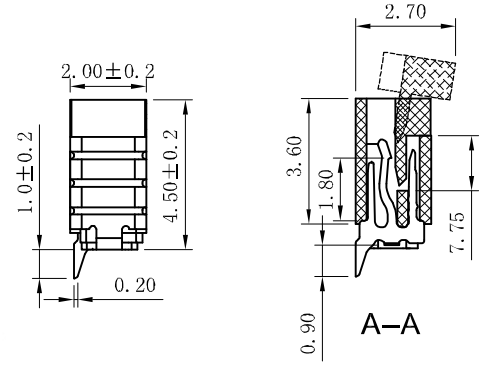
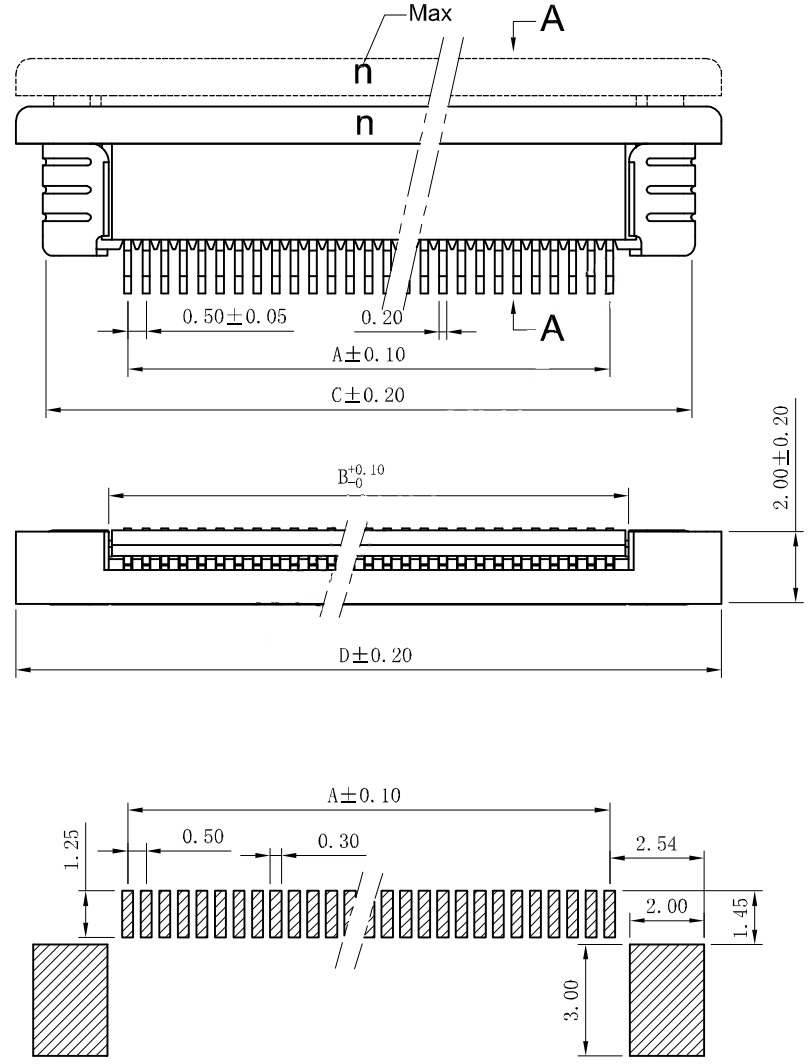


36 PINS 0.5 Pitch SMD Horizontal Type Bottom Contact

Ver	Date	Description
1.0	July-26-2012	Preliminary Release




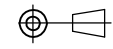
Pin Num	A	B	C	D
36	17.50	18.60	22.35	23.65

Material:

- 1、Housing: NYlon46 UL94V-0 Grey;
- 2、Loeker: PPS UL94V-0;
- 3、Contact: Phosphor bronze, tin/lead-plated;
- 4、Solder tab: Phosphor bronze, tin/lead-plated.

Specification:

- 1、Unverified Tolerance should comply with SJ1372-79;
- 2、Temperature Range: $-25^{\circ}\text{C} \sim 85^{\circ}\text{C}$;
- 3、Rated Voltage: 50V, AC, DC;
- 4、Contact Resistance: $\leq 0.03 \Omega$;
- 5、Insulation Resistance: $\geq 500\text{M} \Omega$;
- 6、Withstand Voltage: 500V, AC/minute.

 Next Vision Display Brighten The Future		CD
	UNIT: MM	SIZE: A4
	SHEET: 1 OF 1	
Part Number for Order: NV36HB-1 ZIF X DISPL.		
DRAWN BY : Jim	CHECKED BY: Tony	APPROVED BY : Liu